

RONG FENG

承 認 圖

SPECIFICATION FOR APPROVAL

西元 2009 年 5 月 6 日

PART NUMBER: AC SOCKET

ITEM NUMBER: RF-180

ORDER NUMBER: RF-180

DRAWING NUMBER: 830510

核	准	校	核	工	程

RONG FENG INDUSTRIAL CO., LTD

榮豐工業股份有限公司

NO.180,CHENGKUNG TEL: 886-49-252421~5 南投市成功三路 180 號
3 RD.NANTOU FAX: 886-49-253647 統一編號: 61451224
CITY,TAIWAN

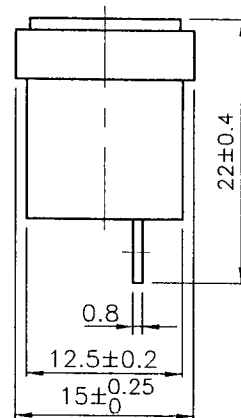
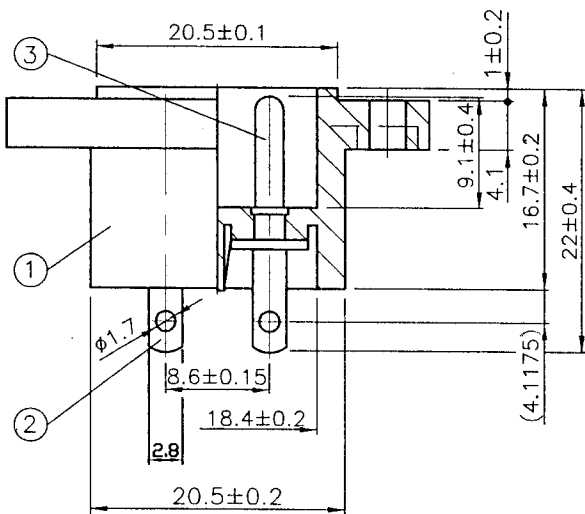
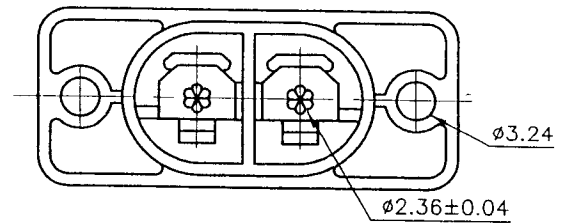
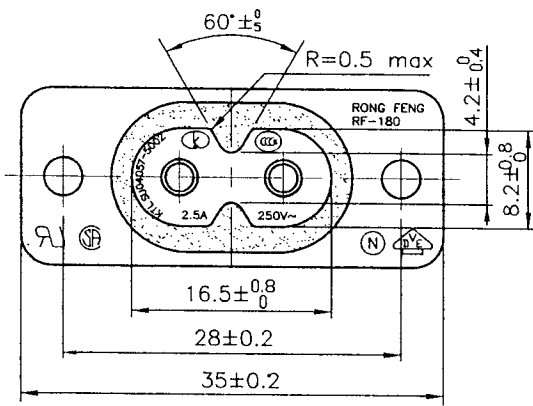
<http://rongfeng.com.tw>

[GEC] Green Electronics Company

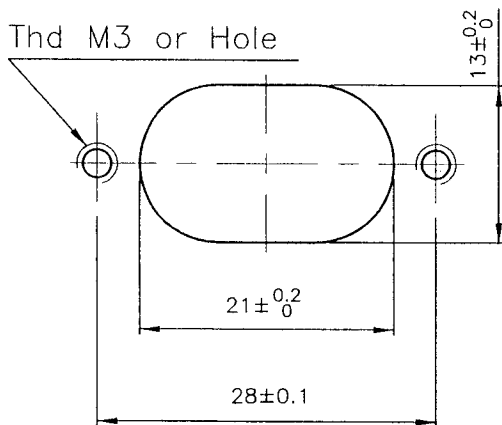
RF-180

SCALE : 1.5:1

UNIT : mm

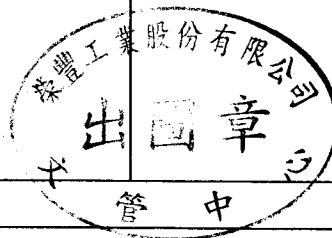


PANEL CUT-OUT



Rating: 2.5A 250V AC
Approvals: UL/CSA/VDE/NEMKO/CCC /KTL

Part No.	Color
RF-180	Black
RF-180-1	White
RF-180-2	Gray(423C)



		DIMENSIONAL TOLERANCES	
		GRADATION	TOLERANCE
3	Contact PIN Brass Strip d=∅2.36 mm Ni-Plated	2	
2	Contact PIN Brass Strip t=0.8mm Tin-Plated	2	X ±0.4
1	Body Insulator PC	1	X.X ±0.3
APPROVED: [Stamp] 95.8.15		X.XX ±0.1	
CHECK: [Stamp] 95.8.15		ANGLE ±1°	
DRAWER: [Stamp] Jamie		ORDER NO: RF-180	
		DRAWING NO: 830510	

RONG FENG INDUSTRIAL CO.,LTD.

榮豐工業股份有限公司

NO.180,CHENGKUNG 3 ROAD
NAN TOU CITY,TAIWAN
R.O.C.

TEL:886-49-2252421~5
FAX:886-49-2253647

南投市成功三路 180 號
統一編號:61451224
CABEL:RONG FENG

Specification Of (RF-180) AC SOCKET

page:1

1.Scope

This specification covers the requirements for RF-180 AC Socket.

2.Outline and dimensions

Outline and dimensions of the socket is shown on the following drawing.

3.Rating

3.1. 2.5A250V AC for UL, CSA

3.2. 2.5A250V AC for VDE, NEMKO, CCC, KTL

4.Using condition

This socket should be used Max 105°C for UL, CSA.

Max 70°C for VDE, NEMKO, CCC, KTL.

5.Storage condition

This socket should be holded from -10°C ~ 65°C.

6.Standard

IEC 320

UL 498

CSA 22.2

DIN VDE 0625

EN60 320

7.Electrical

7.1. Dielectric strength

The socket should withstand a potential of direct current 2000VAC/0.5mA/1min.

7.2. Insulation resistance

Insulation resistance between pins should not be less than 100MΩ.

It is measured with 500V DC.

RONG FENG INDUSTRIAL CO.,LTD.

榮豐工業股份有限公司

NO.180,CHENGKUNG 3 ROAD
NAN TOU CITY,TAIWAN
R.O.C.

TEL:886-49-2252421~5
FAX:886-49-2253647

南投市成功三路 180 號
統一編號:61451224
CABEL:RONG FENG

Specification Of (RF-180) AC SOCKET

page:2

7.3. Contact resistance

Contact resistance should not exceed 30 mΩ.

8. Construction

8.1. Heat test

The socket should be putted in a hot chamber at temperature of $100^{\circ}\pm 5^{\circ}\text{C}/\text{hour}$.

The socket should have the capability to satisfy the performance the paragraphs 7.1., 7.2., 7.3. and the socket should show no evidence of cracking.

Crazing and deformation.

8.2. Body strength

The socket should be press body with 8kg/minute.

The socket should have the capability to satisfy the performance the paragraphs 7.1., 7.2., 7.3. and the socket should show no evidence of cracking.

Crazing and deformation.

8.3. Material

The socket should be used PC or PBT or NY.

9. Packing

200 PCS/BAG. 2,000 PCS/CTN.

APPROVED	CHECK	WRITER	DESCRIPTION
Alvin Chen	John	Jenny	95. 2. 21

ENGINEER NO : TWI-K-0256



**Underwriters
Laboratories Inc.®**

Northbrook Division

333 Pfingsten Road
Northbrook, IL 60062-2096 USA
www.ul.com
tel: 1 847 272 8800
fax: 1 847 272 8129
Customer service: 1 877 854 3577

RONG FENG INDUSTRIAL CO LTD
MR D WOO
180 CHENG KUNG 3RD RD
NAN TOU TAIWAN

RE: Project Number(s) - 03CA30015

Your most recent Certification is shown below. You may also view this information, or a portion of this information (depending on the product category), on UL's Online Certifications Directory at www.ul.com/database. Please review the text and contact the Conformity Assessment Services staff member who handled your project if revisions are required. For instructions on placing an order for this information in a 3 x 5-inch format, you may refer to the enclosed order form for UL Card Service.

**AXUT2
Attachment Plugs, Fuseless - Component**

October 27, 2003

**RONG FENG INDUSTRIAL CO LTD
180 CHENG KUNG 3RD RD, NAN TOU TAIWAN**

E102641

Appliance Inlets, Model Nos. RF-180-W3, RF-180-W3A, RF-180-W3B.

Motor attachment caps, Models RF-180, RF-180-W, SS-7B, SS-7B-1, SS-7B-1A, SS-7B-PCB, SS-7BA, SS-120, SS-120-1.0, SS-120A, SS-120-PCB, SS-120-C-PCB, SS-120-Y-X, SS-7B-E, SS-7B-N.

Inlet, Model RF-190.

Inlets, Models SS-3A, SS-3B.

Inlet, Models SS-6E, SS-7E.

Inlet, Model 701W-G.

Marking: Company name or tradename "RONNEX" and model designation on device or carton.

See General Information Preceding These Recognitions

For use only in equipment where the acceptability of the combination is determined by Underwriters Laboratories Inc.





CSA INTERNATIONAL

Certificate of Compliance

Certificate: 1440801

Master Contract: 175964 (LR 65612)

Project: 1782842

Date Issued: June 5, 2006

Issued to: **Rong Feng Industrial Company Limited**
No. 180, Cheng Kung 3 Rd.,
Nantou City, 540
Taiwan

The products listed below are eligible to bear the CSA Mark shown



Authorized by: Fred Mark, P. Eng.,
Area Director, Asia

PRODUCTS

CLASS 6233 01 - RECEPTACLES - Attachment Plug Type and Plugs

Special use connectors, male inlet Cat No RF-180, rated 5 A, 125/250 V ac or 2.5 A, 125/250 V ac.

1. These connectors are supplied only to manufacturers as components for the assembly of Certified electrical equipment.
2. Subject to investigation in the end use.

APPLICABLE REQUIREMENTS

CAN/CSA-C22.2 No 182.3-M1987 - Special Use Attachment Plugs, Receptacles and Connectors

ZEICHENGENEHMIGUNG MARKS APPROVAL

Rong Feng Industrial Co., Ltd.
No.180, Cheng Kung 3rd Road
540 NAN TOU CITY
TAIWAN

ist berechtigt, für ihr Produkt /
is authorized to use for their product

Gerätestecker
Appliance inlet
RF-180-Serie

die hier abgebildeten markenrechtlich geschützten Zeichen
für die ab Blatt 2 aufgeführten Typen zu benutzen /
the legally protected Marks as shown below for the types referred to on page 2 ff.



Geprüft und zertifiziert nach /
Tested and certified according to

DIN EN 60320-1 (VDE 0625 Teil 1):2002-06; EN 60320-1:2001



VDE Prüf- und Zertifizierungsinstitut
VDE Testing and Certification Institute
Zertifizierungsstelle / *Certification*

Schipper

VDE Zertifikate sind nur gültig bei Veröffentlichung unter:
VDE certificates are valid only when published on:

VDE VERBAND DER ELEKTROTECHNIK
ELEKTRONIK INFORMATIONSTECHNIK e.V.

Aktenzeichen: 1476300-1550-0005 / 56197
File ref.:

Ausweis-Nr. 40002788 Blatt 1
Certificate No. Page

Weitere Bedingungen siehe Rückseite und Folgeblätter /
further conditions see overleaf and following pages

Offenbach, 2002-08-15
(letzte Änderung/updated 2005-09-28)

<http://www.vde.com/zertifikat>
<http://www.vde.com/certificate>





CERTIFICATE

No. P03201371

Order No. 15679

Applicant Rong Feng Industrial Co. Ltd.
No. 180, Cheng Kung 3rd Road
540 Nan Tou City
TAIWAN

Manufacturer Rong Feng Industrial Co. Ltd.
No. 180, Cheng Kung 3rd Road
540 Nan Tou City
TAIWAN

Factory sites See page 2

Group 03 66000 Appliance inlets for Class II equipment. Standard Sheet C8.

Model/type RF-180-series

Data 2,5A 250V AC

Trade mark RONG FENG

Other specification Thermoplastic, for flange, snap-in or insert mounting, with solder, PCB terminals or wiring hanes.

The above product is certified according to the following standard(s) Safety std.: EN 60320-1:2001

Validity This certificate documents conformity with the standards shown, and also applies as license for use of Nemko's name and certification mark. The certificate and license is valid as long as the applicable conditions are complied with, and provided that any changes to the product are notified to Nemko for acceptance prior to implementation.
New standards or amendments to the standards may imply that the product design must be updated and/or that re-testing and re-certification is necessary.

Variants This Certificate also covers variants with Position No. from 001 to 002
See next page(s)

Additional Information: This Certificate replaces our Nemko-Certificate P98100826, order no. 199817233, dated 1998-08-31.

Date of issue 18 December 2003

signature

Ragnar Koltzow

Certification Department

Nemko AS
P.O. Box 73, Blindern
N-0314 Oslo, Norway

Office address
Gaustadalléen 30
Oslo

Telephone +47 22 96 03 30
Enterprise number:
Fax +47 22 96 05 50
NO 974404532



CERTIFICATE FOR CHINA COMPULSORY PRODUCT CERTIFICATION

No.: 2003010204032895

NAME AND ADDRESS OF THE APPLICANT

RONG FENG ELECTRICAL(SHENZHEN)CO.,LTD
Panten 2nd Industrial Zone BUGY Town, Shenzhen City,Guangdong China

TRADE MARK: RONG FENG

NAME AND ADDRESS OF THE MANUFACTURER

RONG FENG ELECTRICAL(SHENZHEN)CO.,LTD
Panten 2nd Industrial Zone BUGY Town, Shenzhen City,Guangdong China

NAME AND ADDRESS OF THE FACTORY

RONG FENG ELECTRICAL(SHENZHEN)CO.,LTD
Panten 2nd Industrial Zone BUGY Town, Shenzhen City,Guangdong China

NAME, MODEL AND SPECIFICATION

2.5A APPLIANCE INLET FOR CLASS II EQUIPMENT FOR COLD
CONDITIONS
RF-190 , RF-180 2.5A 250V~

THE STANDARDS AND TECHNICAL REQUIREMENTS FOR THE PRODUCTS

GB17465.1-1998

THIS IS TO CERTIFY THAT THE ABOVE MENTIONED PRODUCTS HAVE
QUALIFIED FOR THE REQUIREMENTS OF IMPLEMENTATION RULES FOR
COMPULSORY CERTIFICATION

ISSUED DATE: Mar. 7, 2003

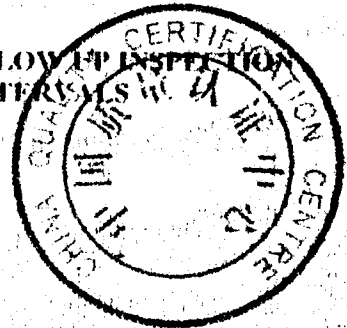
THE VALIDITY OF THE CERTIFICATE DEPEND ON THE FOLLOW UP INSPECTION
BY THE CERTIFICATION BODY AT REGULAR INTERVALS



President:

李怀林

Li Huailin



No.15 Fangcaodi West Street,Chaoyang District • Beijing • China 100020 <http://www.cqc.com.cn>

V 0035882

접수번호 : 06-1920-0929
(Order No.)



전기용품안전인증서

Electrical Appliances Safety Certificate

안전인증번호 : SU04057-5002A
(Certificate No.)

제조업자명 : Rong Feng Electrical (Shenzhen) Co., Ltd.
(Manufacturer)

대표자명 : Mr.Y.M.Huang
(President)

제조공장위치 : Panten 2nd Industrial Zone Bugy Town, Shenzhen City,
(Factory Address) P.R.China

제품명 : 상호연결커플러 (Appliance inlet)
(Product)

기본모델명 : RF-180
(Basic Model)

정격 : AC250V, 2.5A
(Rating)

파생모델명 : See the attachment 2
(Series Model)

적용기준 : K60320-1
(Standard)

「전기용품안전 관리법 시행령」 제4조제3항의 규정에 의하여 위의 전기용품에 대하여 안전인증서를 교부합니다.

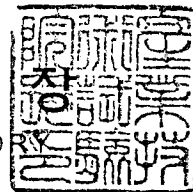
We Issue Electrical Appliances Safety Certification as above product by Article 4 Section 3 of the Electrical Appliances Safety Control Law Operation Rule.

2006년 04월 03일
year month day



산업기술시험원

KOREA TESTING LABORATORY



- 첨부 : 1. 안전관리부품 및 재질목록 (List of Critical Components)
(Annex) 2. 기본모델·파생모델의 내용 (General Descriptions of Certified Products)
3. 전기용품안전인증의 변경 현황 (Status of Certificate Revisions)